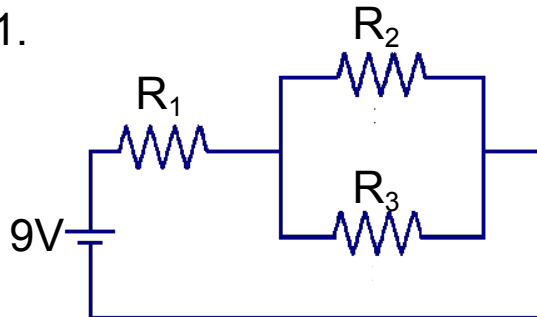


Combination Circuits

1.



Given: $V_3 = 3V$

$I_1 = 4A$

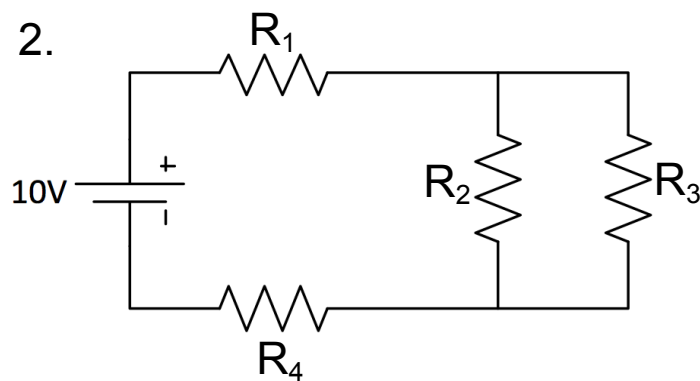
$I_3 = 1.5A$

Determine: $V_1 = \underline{\hspace{2cm}}$

$V_2 = \underline{\hspace{2cm}}$

$I_2 = \underline{\hspace{2cm}}$

2.



Given: $I_2 = 5A$

$I_3 = 10A$

$V_4 = 2V$

$V_3 = 5V$

Determine: $V_1 = \underline{\hspace{2cm}}$

$V_2 = \underline{\hspace{2cm}}$

$I_1 = \underline{\hspace{2cm}}$

$I_4 = \underline{\hspace{2cm}}$

